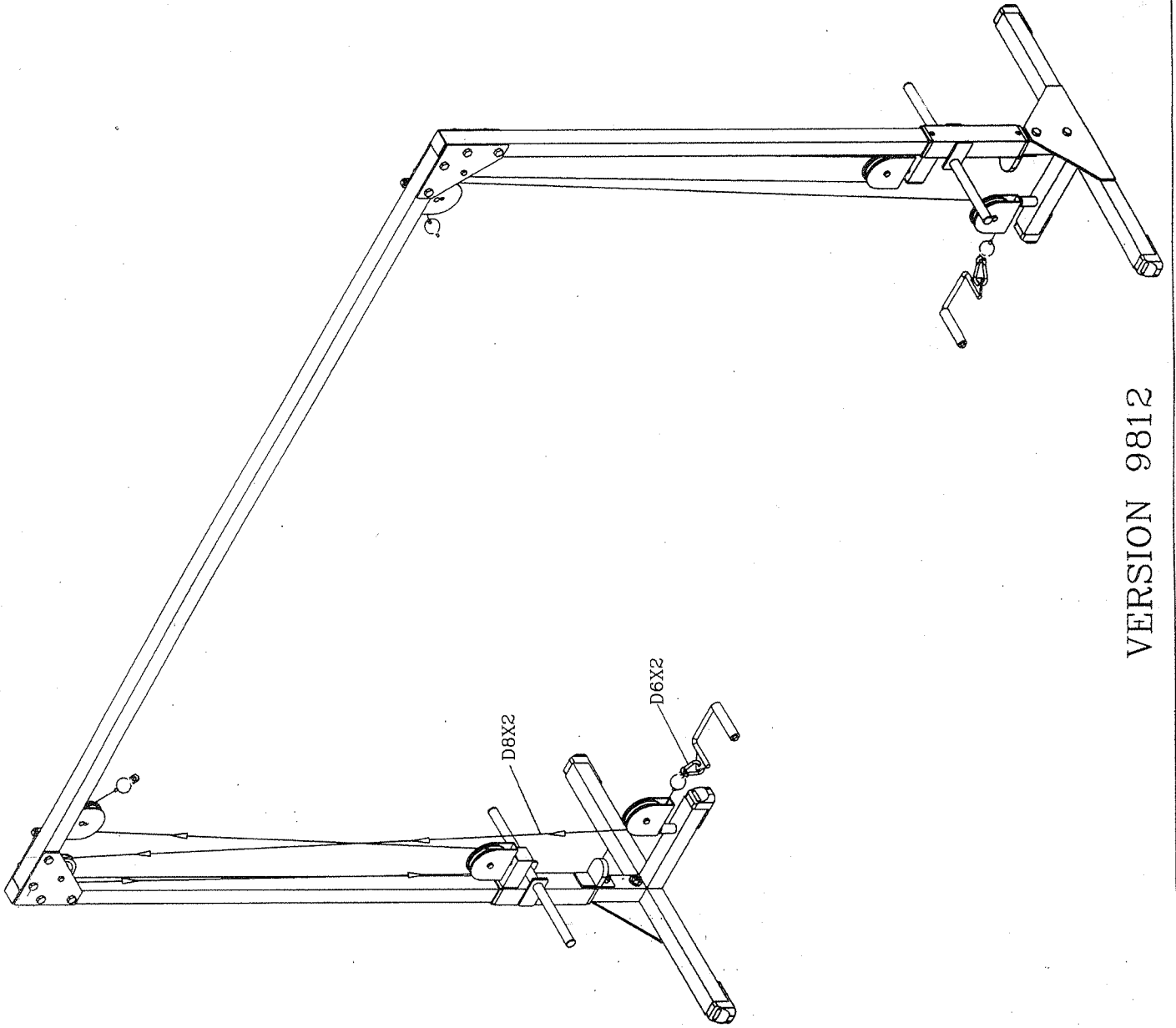


CCO-112A



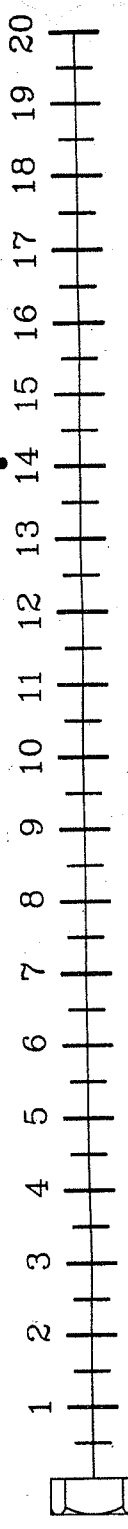
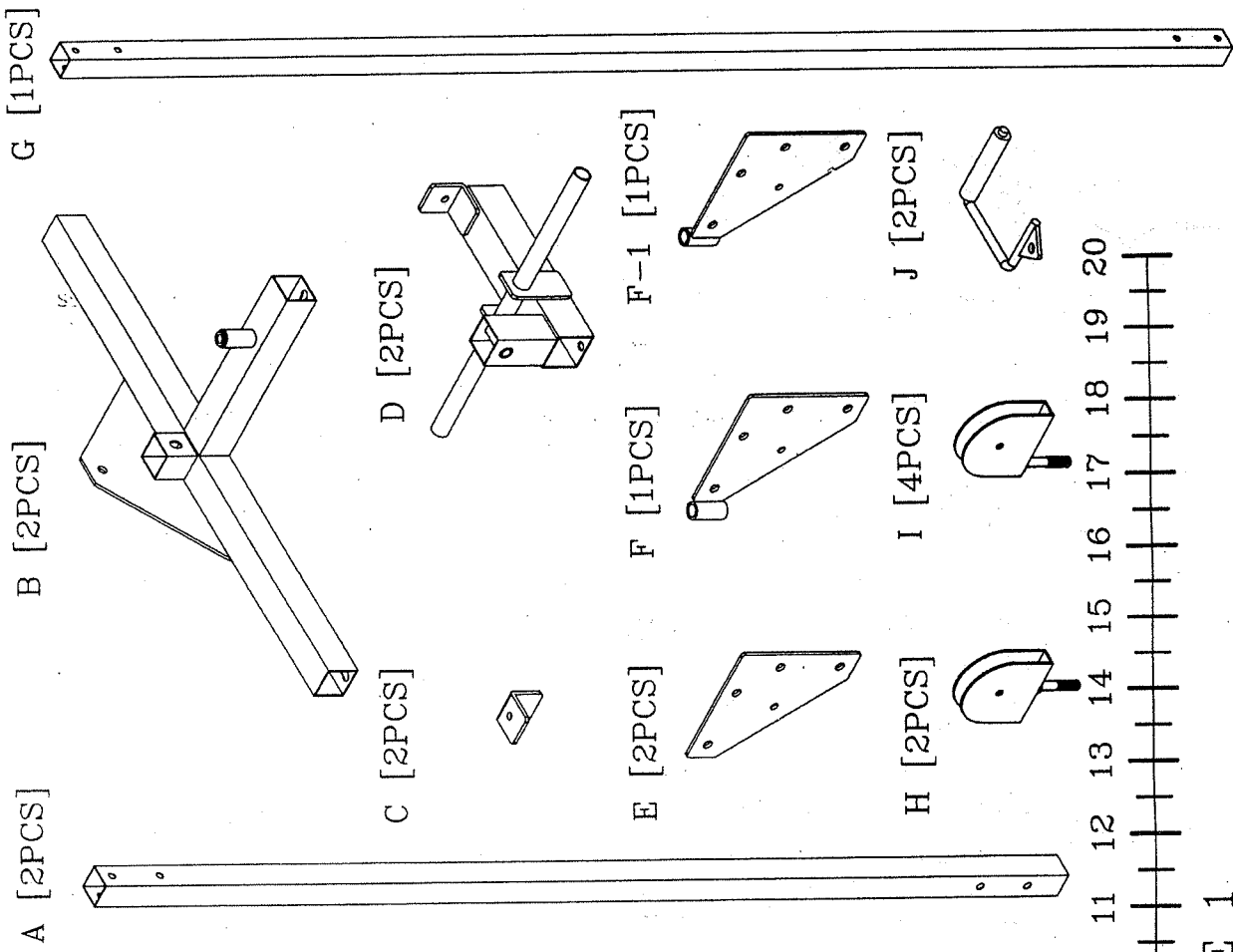
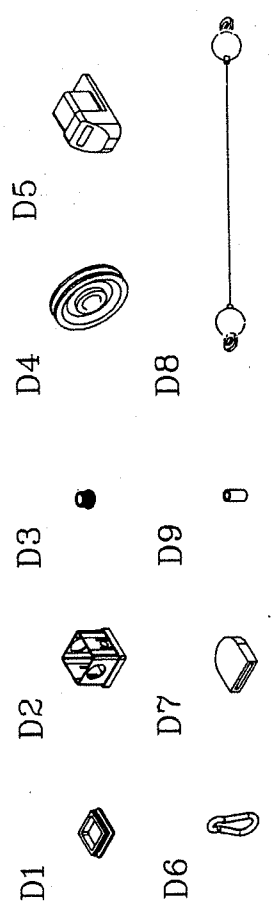
VERSION 9812

CCO-112A

HARDWARE ILLUSTRATION SHEET

PARTS ILLUSTRATION SHEET

| Part No. | Description | Qty. |
|----------|--------------------------------------|---------|
| A1 | M12X75 HEX HEAD BOLT | [10PCS] |
| A2 | M12X70 HEX HEAD BOLT | [2PCS] |
| A3 | M10X75 HEX HEAD BOLT | [2PCS] |
| A4 | M10X40 HEX HEAD BOLT | [6PCS] |
| A3 | M12 NYLON LOCK NUT | [12PCS] |
| B2 | M10 NYLON LOCK NUT | [8PCS] |
| A4 | B3. 1/2" NYLON LOCK NUT | [6PCS] |
| C1 | M12 (I.D.) WASHER | [2PCS] |
| B1 | D1. 2"X2" END CAP (9211-005) | [4PCS] |
| B2 | D2. 60X50 NYLON BUSHING (9211-033) | [4PCS] |
| B3 | D3. Ø1" ROUND END CAP (9211-016) | [4PCS] |
| | D4. Ø110mm PULLEY (9213-002) | [8PCS] |
| | D5. 2"X2"(1.8t) FOOT CAP (9211-024) | [6PCS] |
| | D6. Ø8mm SPRING SNAP LINK (8810-001) | [2PCS] |
| C1 | D7. 50X6t RUBBER DONUT (9310-019) | [2PCS] |
| | D8. 5190mm STEEL CABLE | [2PCS] |
| | D9. Ø5/8" PULLEY SPACER (8110-002) | [2PCS] |



CCO-112A

